

Instruction guide for Wind/Sun Sensor RS001

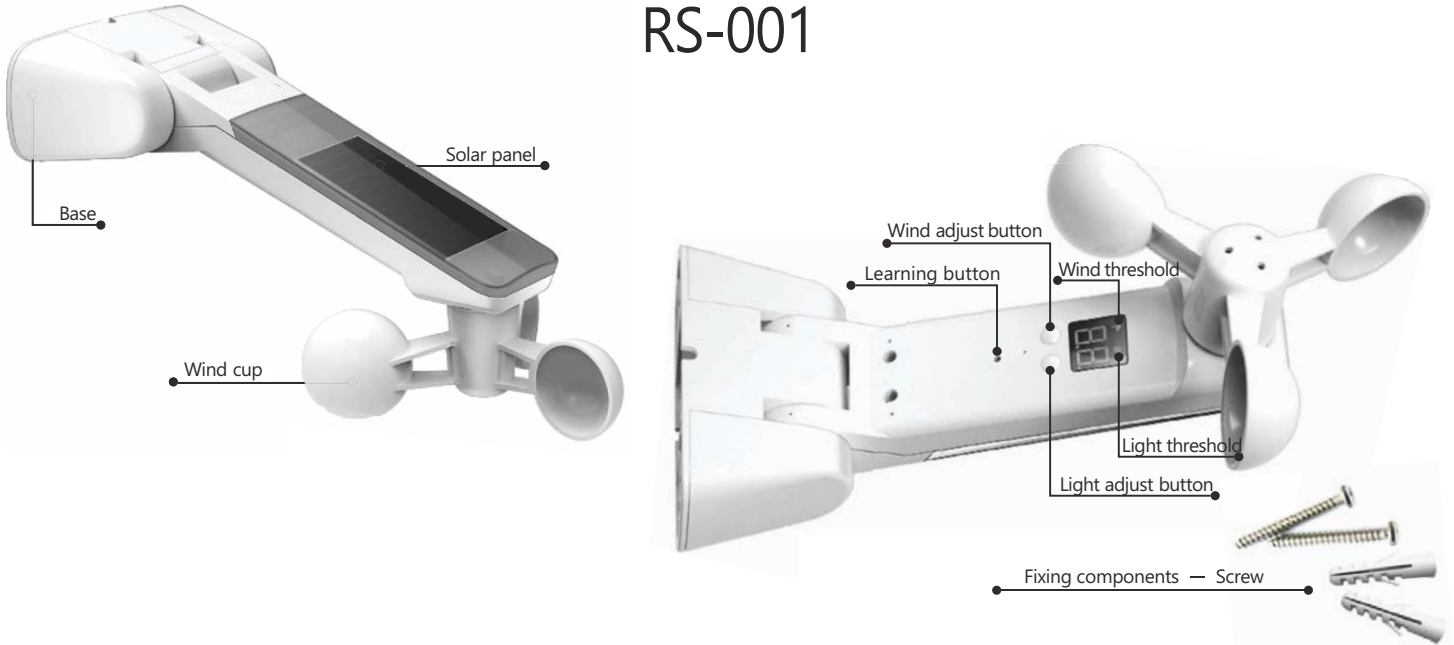
1. TECHNICAL DATA

Power: Ni-MH/3.6V Solar Panel + Battery
 Protection Index: IP44
 Temperature: -20 °C to + 60°C

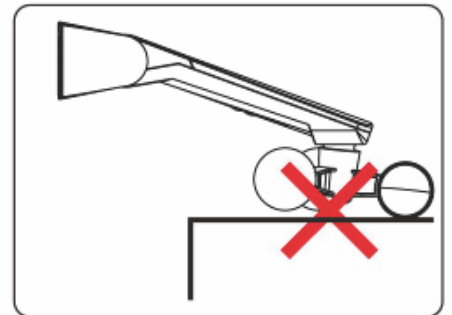
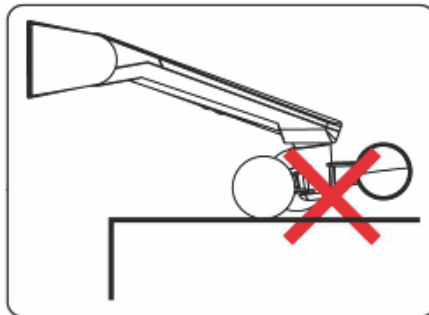
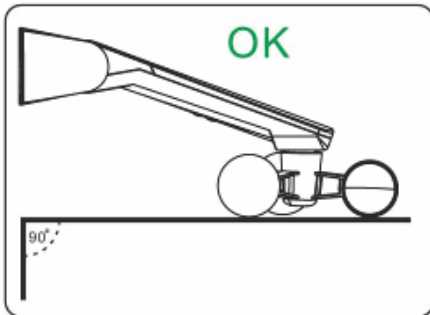
Working Current: $\leq 12\text{mA}$
 Codes: Rolling Codes
 Frequency: 433.92MHz

2. STRUCTURE

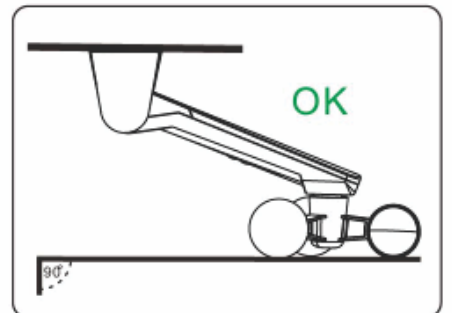
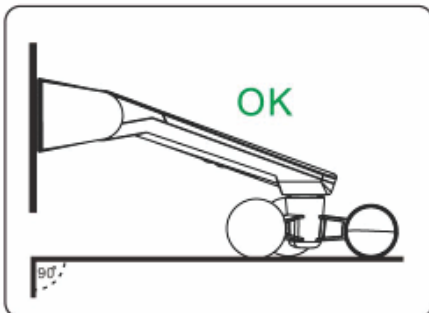
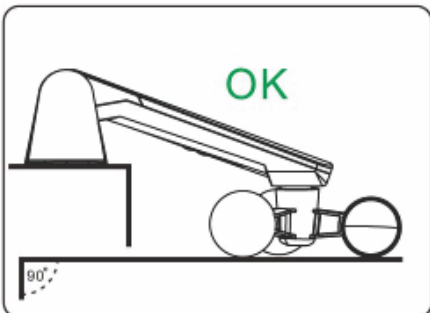
RS-001



3. MOUNTING



02. Installation chart



4. INSTALLATION POSITION

It's very important that the sensor be mounted so that the wind cups are as level as possible, as per the diagrams above. Failure to do so may create friction that makes it harder for the cups to spin, thus affecting the performance and reliability of the device. Also ensure that the device is mounted in an area that receives the same wind conditions as the awning if using wind sensing, and also full sunlight during the day if using the sun-sensing for control purposes. Make sure to test for connection between the device and the motor once set up.

Instruction guide for Sun/Wind Sensor RS001

5. ASSIGNING SUN/WIND SENSOR TO A MOTOR

Please note: This device arrives with no charge in its battery. Please allow the device to charge for at least a full day prior to use. If it's a sunny, clear day, then 6 hours of direct sunlight may be enough to sufficiently charge the unit to allow setup.

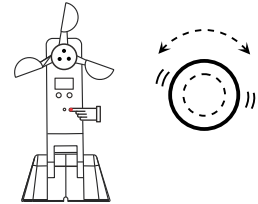
Method A using remote control



Press UP and DOWN together, then release.



Press the STOP button 8 times. The motor will vibrate after the 8th press.

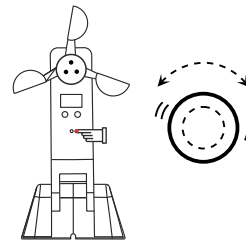


Press the learning button on the motor twice. The motor will vibrate if successful.

Method B using red button on motor

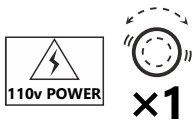


Press and release the red button on the motorhead. The motor will vibrate.

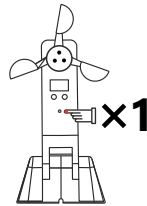


Press the learning button on the motor twice. The motor will vibrate if successful.

Method C assigning on power up



Plug the motor into power and the motor will vibrate.

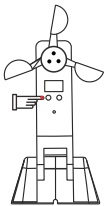


Press the learning button on the motor twice.

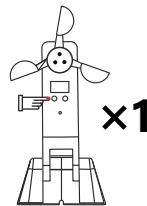


The motor will vibrate if successful.

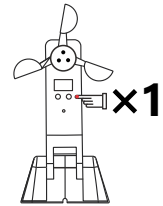
6. SETTING THE WIND THRESHOLD



Hold down the left button until the left LCD digit starts to flash. Then release.



Repeatedly press the left button to select a setting between 0-5.

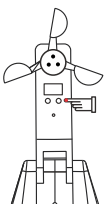


Once the setting is displayed, press the right button to lock in. LCD will stop flashing.

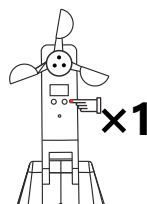
Chart 1-1 Wind Threshold Corresponding to Actual Wind Speed

Wind Threshold	Wind speed
0	Close wind speed test
1	10km/h (6.2 mi/hr)
2	15km/h (9.3 mi/hr)
3	20km/h (12.4 mi/hr)
4	30km/h (18.6 mi/hr)
5	>40km/h (24.8 mi/hr)

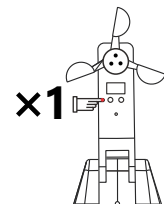
7. SETTING THE LIGHT THRESHOLD



Hold down the right button until the left LCD digit starts to flash. Then release.



Repeatedly press the right button to select a setting between 0-9.



Once the setting is displayed, press the left button to lock in. LCD will stop flashing.

Instruction guide for Sun/Wind Sensor RS001

Setting the Light threshold continued ...

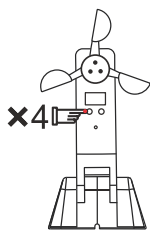
Chart 1-1 Light Threshold Corresponding to Actual Light Intensity

Light Threshold	Actual Light Intensity	Light Threshold	Actual Light Intensity
0	Close light intensity test	5	40000Lux
1	2000Lux	6	60000Lux
2	5000Lux	7	70000Lux
3	10000Lux	8	80000Lux
4	20000Lux	9	90000Lux

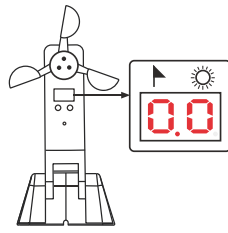
8. TESTING MODE

Wind speed testing mode.

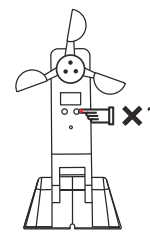
Real time wind speed is detected for example, if 1.0 is displayed, then the actual current wind speed is 10km/h



Press LEFT button 4 times.



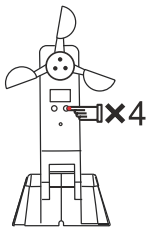
The dot in the middle is always on.
Check display for wind speed reading.



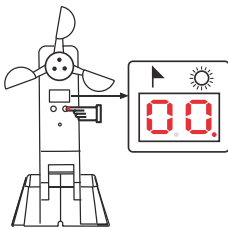
Press the RIGHT button to bring the unit out of testing mode.

Light intensity testing mode.

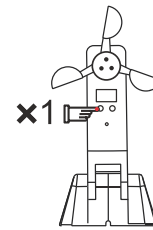
Real time testing of light intensity, for example, if 10 is displayed, then the actual lux level is 10,000. (see note below for extra information)



Press RIGHT button 4 times.



The dot in the corner is always on.
Check display for light intensity reading.

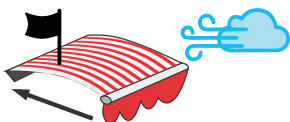


Press the LEFT button to bring the unit out of testing mode.

Note: In light intensity testing mode, the display shows the light intensity from 1,000 to 100,000 lux. Below 1,000 lux it will show 00 and above 100,000 it will show 99. All other readings are simply multiplied x 1,000. Unit will time out after 3 minutes if untouched in that time.

9. FUNCTIONALITY

1. Protection from strong winds.



If the wind speed exceeds the set limit for longer than 6 seconds, an order will be issued for the motor to close the awning.



As long as the wind speed is higher than the set limit, it's not possible to open the awning by any method. The remote commands and sun sensing both become invalid.



If the wind speed falls below the set level for 30 continuous seconds, normal operation will resume.

2. Control by light sensing.



If the light intensity setting is exceeded for 10 minutes, the motor will be told to open an awning or drop a blind.



If the light intensity drops below the set level for 10 minutes, the motor will be told to close the awning or raise a blind.

Sun and Wind Sensor QUICK GUIDE

*Please read original instructions for more detailed instruction.
Particularly if there is a problem.*

1. Power.

If using the RS001 solar powered unit, be aware it does not arrive charged and will usually require at least half a day in the sun before there is enough charge to set it up. Full charge will take several days to complete.

2. Assigning the device to the motor.

A. Using the remote (and channel) that controls the motor, Press up and down together and release. Then press the stop button 8 times. The motor will jiggle.

B. Repeatedly press the learn button on the sun/wind sensor firmly in 1 second intervals until the motor jiggles again. When it jiggles, the sensor is assigned.

From the time the motor gives its first jiggle, you have 10 seconds to assign the sensor before the motor times out. If it times out you will need to start again with step A.

Note: If you have difficulty assigning the sensor, it may not have enough charge in it. See section 1.

3. Setting the Wind level

Hold down the wind setting button until the digit above starts to flash then release. Now tap the same button until the desired wind setting is displayed. Tap the light setting button to exit the wind setup and the flashing will stop.

0 = Off, 1 = 10 kmh, 2 = 15 kmh, 3 = 20 kmh, 4 = 30 kmh, 5 = 40 kmh

4. Setting the Light level

Note: it is not recommended to use the light control for folding arm awnings unless you want the awning out every day of the year including potentially when it is raining. Light control is more suited to straight drop blinds and awnings.

Hold down the Light setting button until the digit above starts to flash then release. Now tap the same button until the desired light setting is displayed. Tap the wind setting button to exit the light setup and the flashing will stop.

0 = Off, 1 = 2000 Lux, 2 = 5000 Lux, 3 = 10,000 Lux, 4 = 20,000 Lux, 5 = 40,000 Lux,
6 = 60,000 Lux, 7 = 70,000 Lux, 8 = 80,000 Lux, 9 = 90,000 Lux.

5. Testing connection to the motor

A. Set the wind speed to 1 for easiest testing. Partially open the awning.

B. Spin the cups continuously for at least 6 seconds. Your finger will produce unreliable spinning consistency. A blower, hair dryer, can of compressed air or even blowing will usually give better results. If the motor reacts, the unit is operating.

6. Make sure the unit is mounted so that the wind cups spin level with the ground to avoid unwanted friction and unreliable performance. Also ensure the mounting position gets the same wind as the awning.

